

10.1" P-cap Touch Monitor



Model	H1015PW-UH
Touch Technology	P-cap
Version	V 1.0



Open-frame Touch Monitor

The Horsent develops H1015PW-UH as open-frame multi-touch monitor for vertical market applications, such as financial, gaming, industrial, self-service terminal, etc.

H1015PW-UH applies high performance PCAP touch technology, delivering excellent 10-point touch user experience in front surface be true flat.

The high grade display module brings high-resolution and clarity images. Its LED backlit prolongs the lifespan, with less power consumption and weight.

The H1015PW-UH features a special designed injection-molded front bezel, makes the touch monitor flush mounted with cabinets and improves the dust and water-resistant seal significantly.

Comes with CE / FCC / CCC approvals , and easy multiple mounting options.



Features

- 10-point multi touch
- Precision bezel
- High sealing level
- Accuracy touch
- Compact
- Easy to install
- Flush mounted



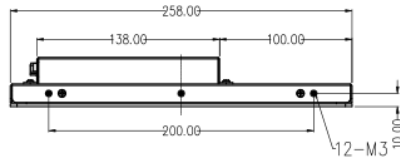
Applications

- ATM
- Tickets machine
- Vending machine
- Information terminal
- Gaming machine

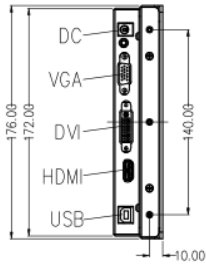


Product specification

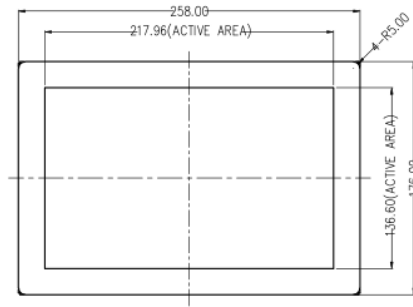
Product Name		10.1 inch LCD Touch Monitor		
Product Model		H1015PW-UH		
LCD panel Technical Parameter	Size	10.1 inch		
	Aspect Ratio	16 : 10		
	Backlight Type	LED Backlight		
	Pixel Pitch	0.1695mm x 0.1695mm		
	Active Area	216.96mm x 135.60mm		
	Best Resolution	1280 × 800 @ 60 Hz		
	Response Time	25 ms		
	Color	16.7 million		
	Brightness	LCD Panel: 230 cd/m ²		
	Contrast Ratio	600:1 (standard Values)		
	Viewing Angle (CR > 10)	Horizontal: 160° (80°/80°) Vertical: 160° (80°/80°)		
	Video Input Format	RGB Analog Signal/ Digital Signal		
	Video Input Interface	VGA / HDMI / DVI-D		
	Input Frequency	Horizontal: 30~82 Hz Vertical: 50~75 Hz		
Power Consumption	≤4W			
Touch Screen Technical Parameter	Touch Screen Type	Capacitive Touch Screen		
	Cover Glass	2.0mm		
	Transparency	87%		
	Hardness	7H		
	Interface	USB2.0		
	Touch Point	10		
	Response Time	≤15 ms		
	Touch Method	Finger / Capacitive Pen		
	Touch Lifespan	≥50,000,000		
	Linearity	< 2%		
Single-point OS	Windows XP , Linux			
Multi-point OS	Windows7/8/10 , Android			
Touch Monitor Technical Parameter	Boundary Dimension	258mm × 176mm × 37mm		
	OSD Panel	Optional Accessory : Power switch, Menu, Up, Auto, Down		
	Power Supply	Input : DC 12V±5%		
	Power Consumption	Max : 7w; Sleep : 1w; Off : 0.5w		
	Installation	Side Mounting Bracket		
	Accessory (Optional)	Signal Line	VGA, HDMI, D-SUB 15 pin, male to male, 1.5m	
		USB Wire	A male to B male , 1.8m	
		Adaptor	WT1203000 ,12V/3.0A ,115mmx47mmx31mm , Length 1.0m , φ 2.5 , Black	
		Power Line	CCC Power Line, 1.5m , Black	
	Temperature	Operating: -10°C-60°C ; Storage: -20°C-60°C		
	Humidity	Operating: 20%-80%; Storage: 10%-90%		
	Operation Altitude	< 3000m		
Warranty	1 year			



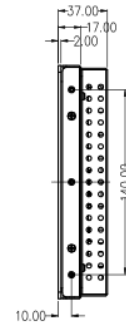
Top View



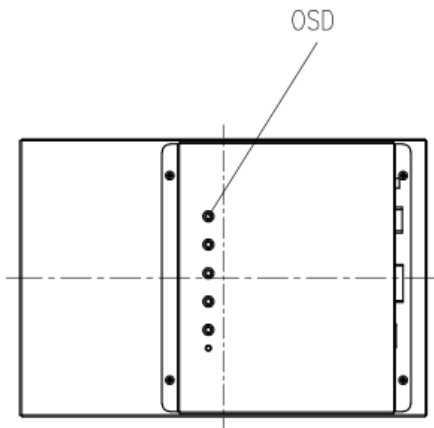
Side View



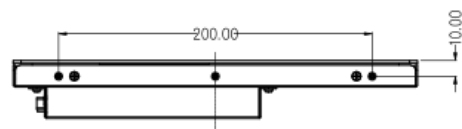
Front View



Side View



Back View



Bottom View

